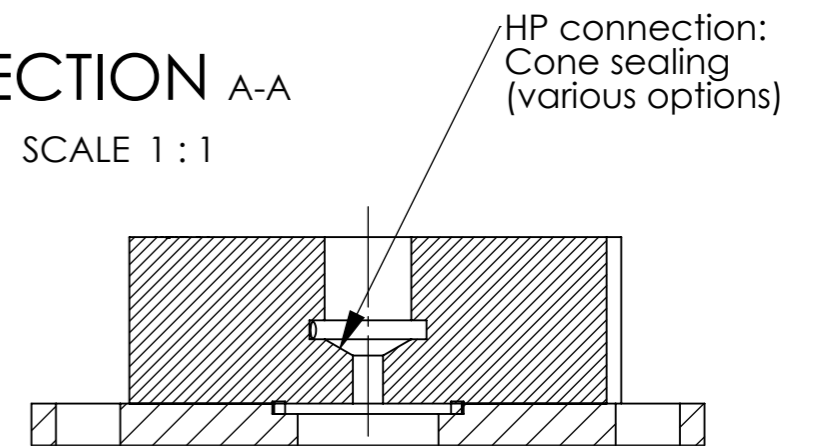


P & T connections: G1/2"

SECTION A-A
SCALE 1 : 1



Property of Scanwill Fluid Power ApS.
Not to be handed over to, copied or used by third party. Two or three dimensional reproduction of contents to be authorized by Scanwill Fluid power ApS.

Not to scale

REVISION: 02

	NAME	SIGNATURE	DATE
DRAWN	J. W. Iversen		2023.07.19
CHK'D			

TITLE:
**MPL-1400 intensifier
intensification 7:1**

Scanwill Fluid Power ApS
www.scanwill.com

MATERIAL:

DWG NO.
MPL-1400-9110

A3

SCALE:1:5

SHEET 1 OF 1