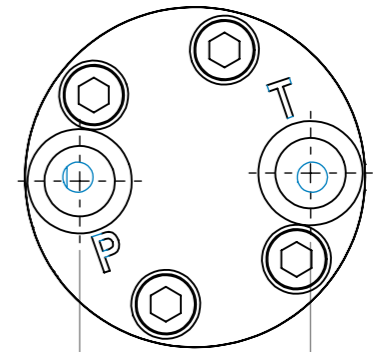
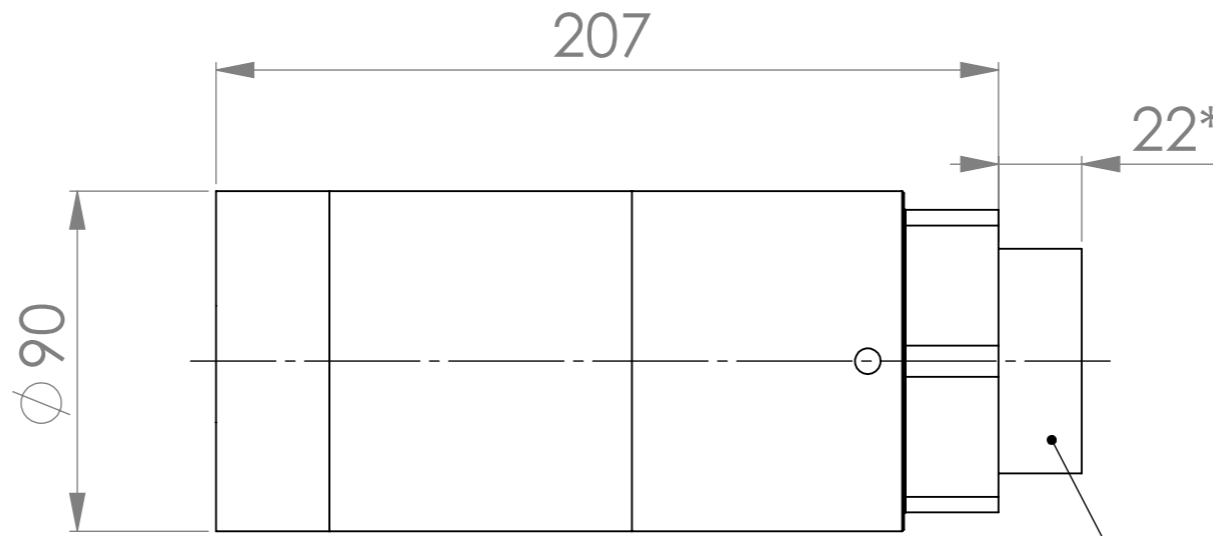


High pressure connection depends on choice of top plate

* depends on choice of top plate



P & T connections: G1/2"

Property of Scanwill Fluid Power ApS.
Not to be handed over to, copied or used by third party. Two or three dimensional reproduction of contents to be authorized by Scanwill Fluid power ApS.

Not to scale

REVISION: 01

	NAME	SIGNATURE	DATE
DRAWN	J. W. Iversen		2023.07.21
CHK'D			

TITLE: **MPL-2000 intensifier**

Scanwill Fluid Power ApS
www.scanwill.com

MATERIAL:

DWG NO. **MPL-2000-9110**

A3

SCALE:1:2

SHEET 1 OF 1