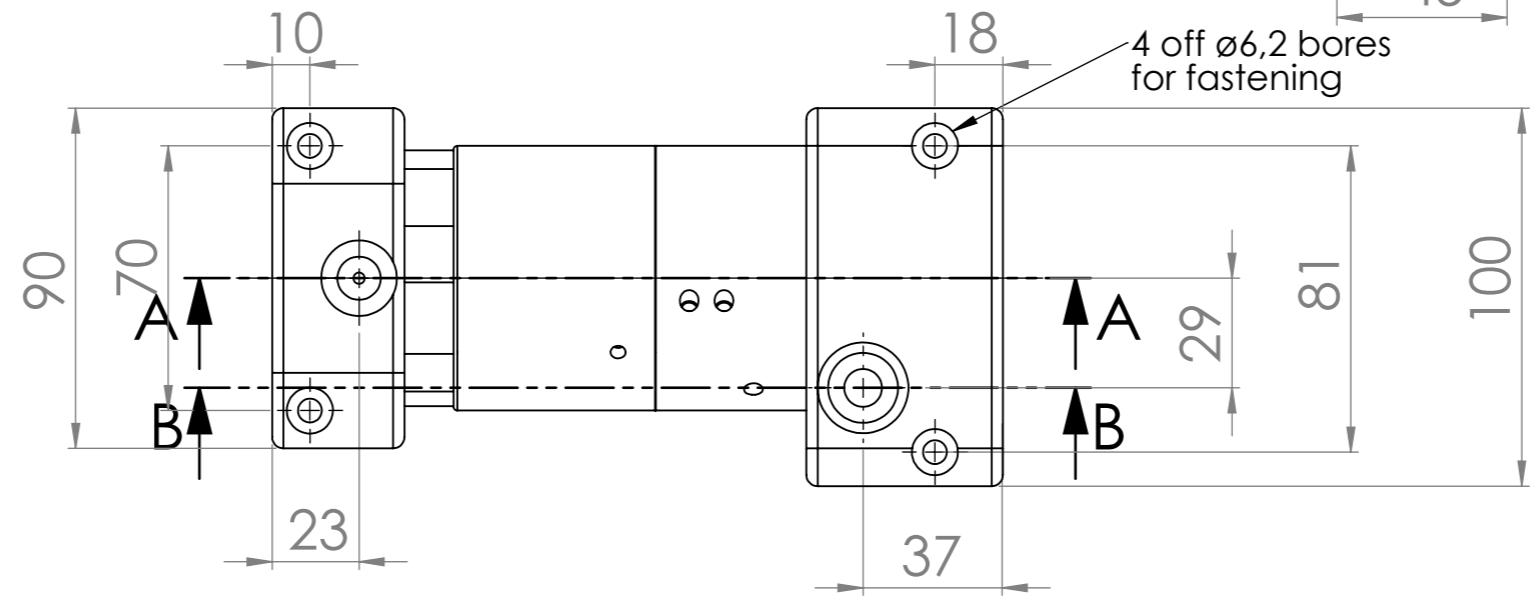
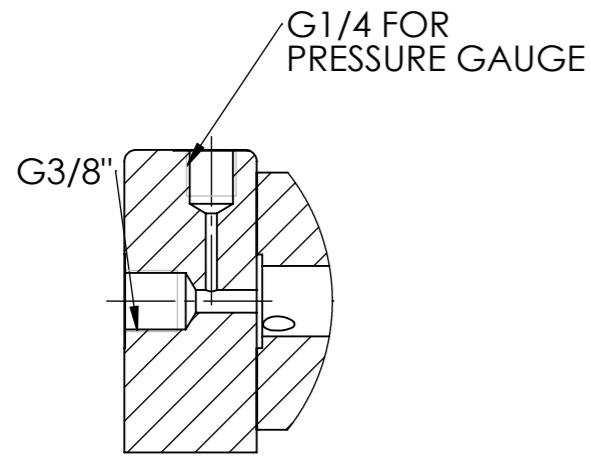
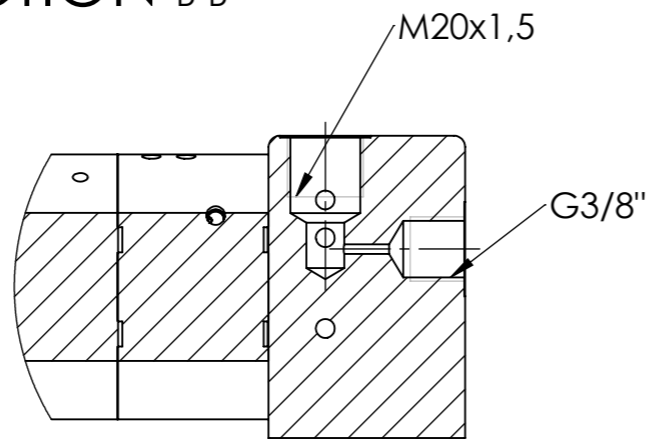
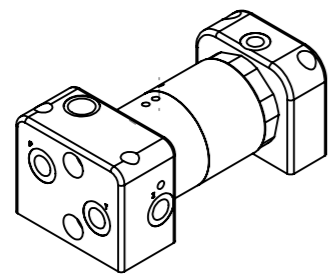


**SECTION A-A**



**SECTION B-B**



ITEM NO.	PART NUMBER	DESCRIPTION	QTY.
1	8-1281	Tilslutningsblok	1
2	MPM-0270	Husdel MP-M	1
3	MPM-7220	Ændret MPM top	1
4	MPT-0336	Glider $\varnothing 8 / \varnothing 6,5$	1
5	8-0346	HP blok	1

Property of Scanwill Fluid Power ApS.  
 Not to be handed over to, copied or used by third party. Two or three dimensional reproduction of contents to be authorized by Scanwill Fluid Power ApS.

	NAME	SIGNATURE	DATE
DRAWN	J. W. Iversen		2017.11.22
CHK'D			

Scanwill Fluid Power ApS  
 www.scanwill.com

MATERIAL:

DO NOT SCALE DRAWING REVISION: 01

Ingen grater, ingen skarpe kanter

TITLE:  
**Intensifier solution**

DWG NO. **SIS-32** A3