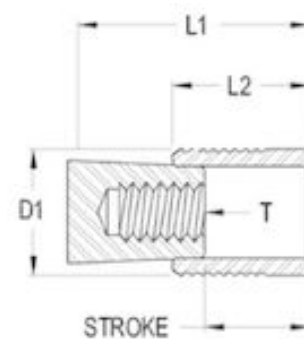
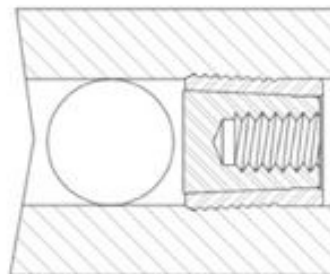
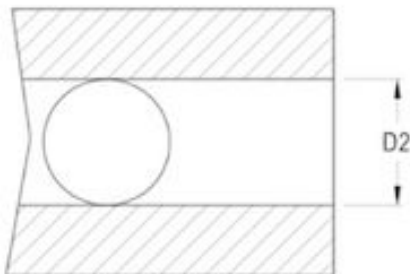




RST Series PullPlugs

Plug material: Case Hardening Steel, Black Oxide Finish

Pin material: 416 Stainless Steel



D1	L1	D2	L2 REF	STROKE	T	Order Code	Multiplies of
5.0	9,4	5.0	5,5	4.0+0.00/-1.0	4-40UNC	RST-050	500pcs.
6.0	11,5	6.0	6,5	5.0+0.00/-1.0	6-32UNC	RST-060	300pcs
7.0	13,5	7.0	7,5	6.0+0.00/-1.0	4,0X0,7	RST-070	300pcs
8.0	15,4	8.0	8,5	6.8+0.00/-1.0	4,0X0,7	RST-080	300pcs
9.0	17,5	9.0	9,5	7.2+0.00/-2.0	5,0X0,8	RST-090	300pcs
10.0	19,5	10.0	10,5	8.2+0.00/-2.0	6,0X1,0	RST-100	100pcs.
12.0	22.0	12.0	12,5	8.7+0.00/-2.0	6,0X1,0	RST-120	100pcs.
14.0	26.0	14.0	14,5	10.7+0.00/-2.0	8,0X1,25	RST-140	100pcs.
16.0	30.0	16.0	16,5	12.7+0.00/-2.5	8,0X1,25	RST-160	50pcs.
18.0	34.0	18.0	18,5	14.7+0.00/-2.5	10,0X1,5	RST-180	50pcs.
20.0	37,7	20.0	20,5	16,2+0.00/-2.5	10,0X1,5	RST-200	25pcs.
22.0	40.7	22.0	22.0	17,7+0.00/-2.5	10,0X1,5	RST-220	25pcs.

Dimensions in mm